

TILT & SWIVEL
CEILING MOUNT

BT7594

FULL MOTION ARTICULATING ARM MEDICAL CEILING MOUNT FOR SCREENS FROM 2KG - 8KG

Designed for flat screens up to 28", this full motion ceiling mount is ideal for mounting above and beside hospital beds. Supplied with an optional handle for easy screen positioning and a built-in gas spring system that offers simple height and distance adjustment. The space saving design enables the mount to be folded flat when not in use.

SPECIFICATION

Recommended screen size	up to 28"
Min and max load	2kg - 8kg
VESA® compatibility	75 x 75 and 100 x 100
Tilt	-10° / +40°
Swivel	330°
Extension	up to 1895mm

FEATURES

- Full motion mount designed for ceiling mounting
- Arm extension allows screen to be positioned up to 1895mm from the center of the mount
- Tool-less tilt and swivel adjustment allows for perfect positioning
- Adjustable ceiling drop height in 100mm increments
- Built-in gas spring system offers easy height and distance adjustment
- Manufactured with Interpon® anti-bacterial powder coating, shown in tests to reduce bacterial population by a minimum of 99%
- Comes with power and LAN cable pre-installed inside the arm
- Integrated cable management for a neat and tidy installation



Supplied with optional handle for easy screen positioning



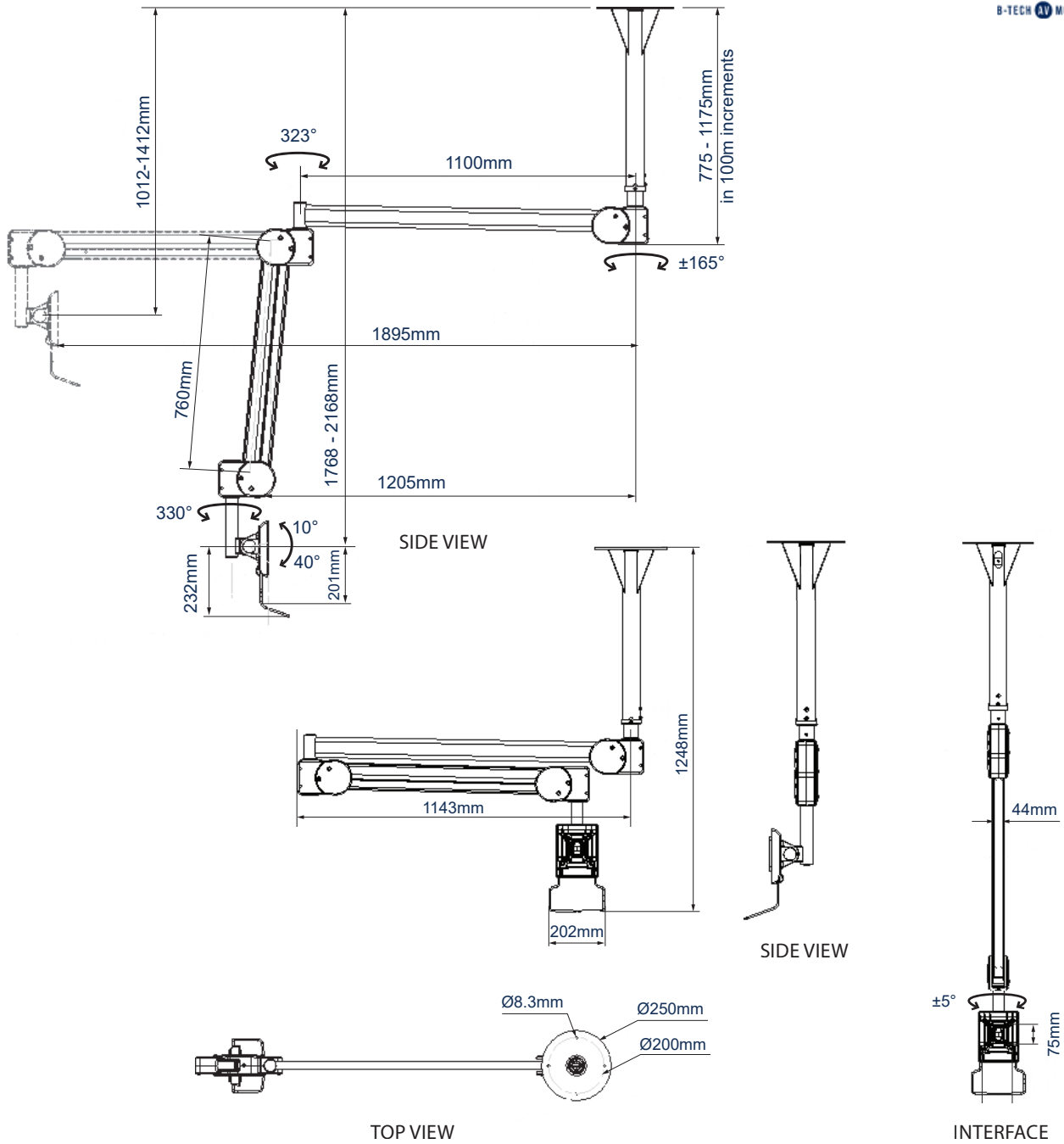
Pre-installed power (DC Jack Cable) & cat 6 flat cable (LAN cable) inside the arm



Features screen tilt and swivel functions



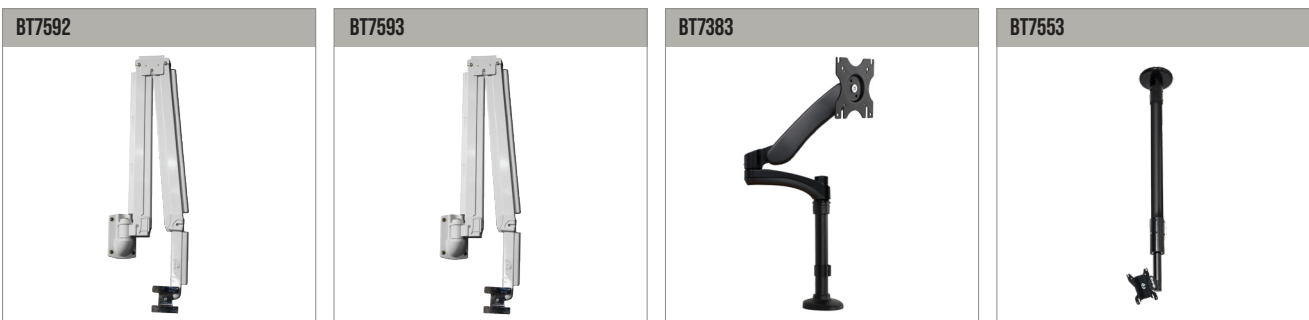
Tool-less tilt and swivel adjustment allows for perfect positioning



PACKING INFORMATION

COLOUR:	ORDER REF:	EAN CODE:	MASTER CARTON QTY:	INNER CARTON QTY:	MASTER CARTON WEIGHT:	MASTER CARTON CUBE:
White	BT7594/W	5019318305894	1	0	24.1kg	0.022cbm

ACCESSORIES AND SIMILAR PRODUCTS



BT7592
 Medical Wall Arm Mount designed for screens up to 5kg

BT7593
 Medical Wall Arm Mount designed for screens up to 8kg

BT7383
 Full Motion Double Arm Desk Mount with 3 swivel points, at the pole, arm pivot and interface

BT7553
 Flat Screen Ceiling Mount with tilt & swivel

© 2018 B-Tech Professional Design. All rights reserved.
 The information in this specification sheet reflects the current technical specifications at the time of print.
 All dimensions are given in millimeters and rounded to the nearest millimeter. All other dimensions are given in inches and rounded to the nearest 1/16 inch.
 All dimensions are given in millimeters and rounded to the nearest millimeter. All other dimensions are given in inches and rounded to the nearest 1/16 inch.
 B-Tech accepts no liability for losses, damage or injury caused by improper installation or mounting on suitable structures. Any reproduction or dissemination or reproduction of any part of this specification is strictly prohibited without the prior written permission of B-Tech Professional Design & Manufacturing Limited, GB.

SS-V2-BT7594-070422